

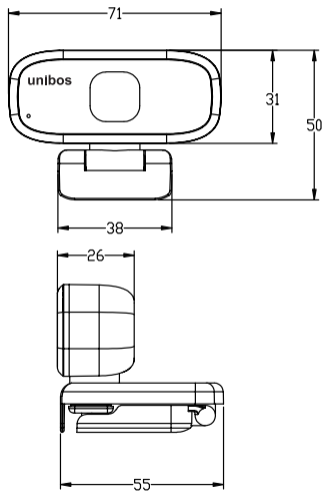
User Guide

Master Stream Webcam 1080p

Part no.: UMS-1080

unibos

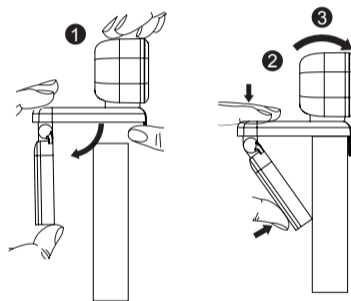
Features: (unit: mm)



Setting up your webcam

1. Place your webcam

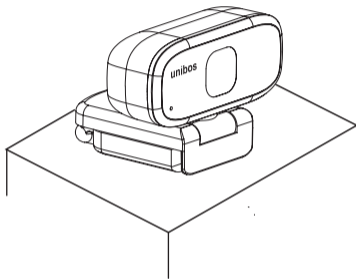
Designed for the way you like to make a video call, place the webcam where you want it—on the monitor or the desktop.



For placement on a monitor

Grasp the webcam as shown and open clip base with your other hand.

Mount the webcam, making sure the foot on the clip base is flush with the back of your monitor.

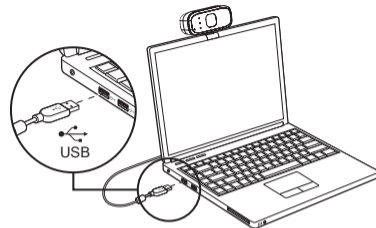


2. Connect your webcam

Plug your webcam into USB interface of PC or TV STB. Wait for about 1 minute, webcam will install automatically.

Getting start with video calling

To take advantage of video calling, both you and the person you call must install video-calling application such as



Skype™, Yahoo! @Messenger, Windows Live@ Messenger or Gmail. As well as a USB camera and video calling application, both callers need;

- A computer with speaker (or a headset) and a microphone (your webcam has built-in microphone);
- A broadband Internet connection (e.g., DSL, T1, or cable);
- Please check your preferred video calling application requirements. (Requirements may vary between different applications but usually a minimum of 2Mbps upload speed is required);